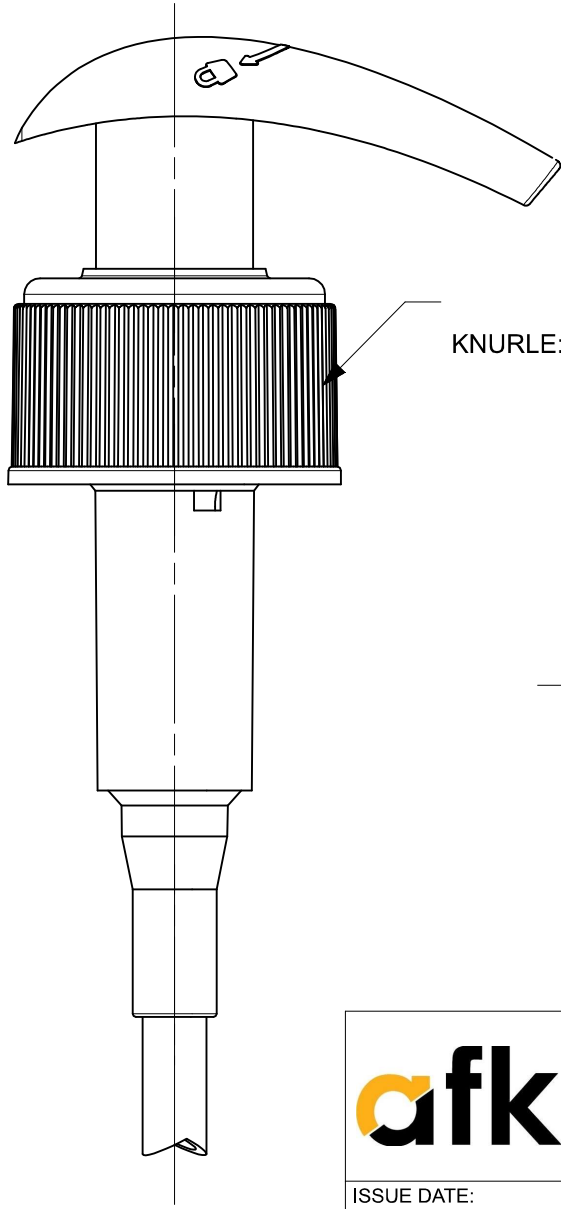
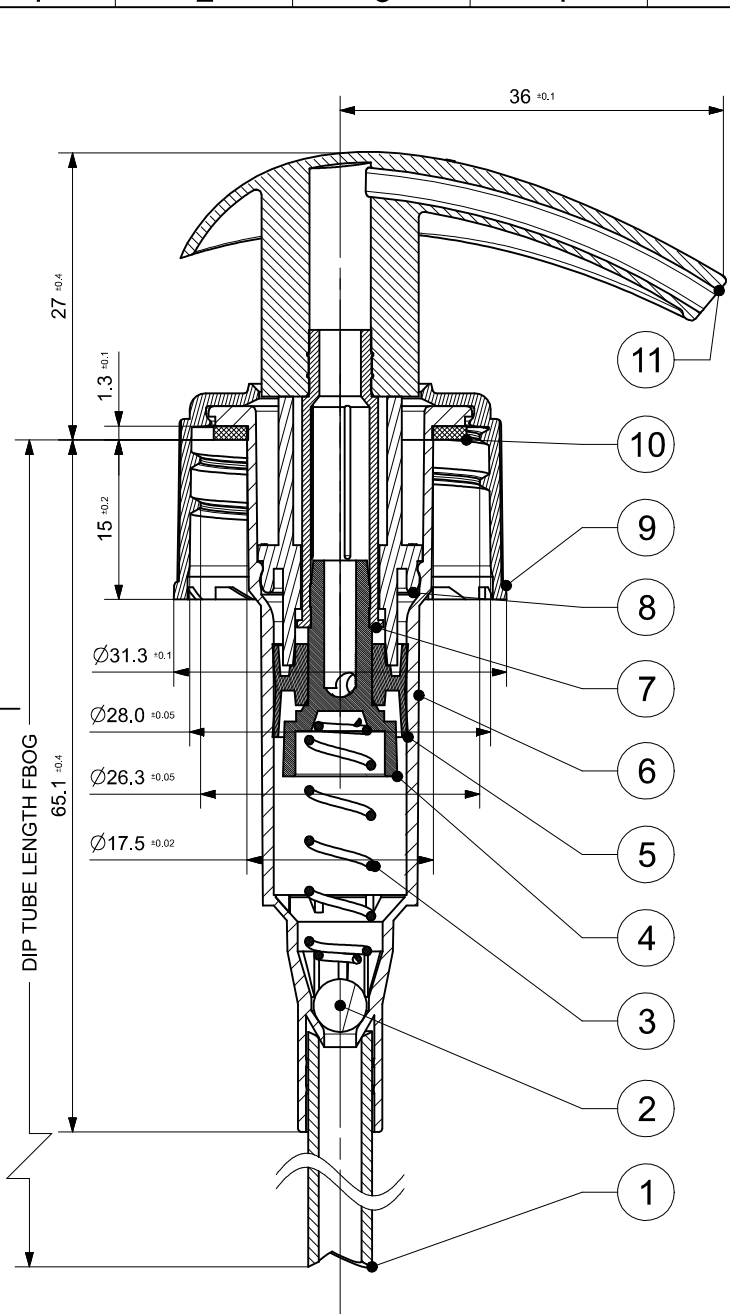


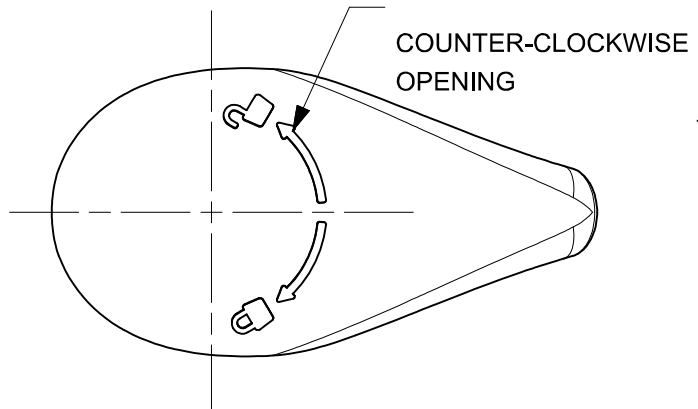
1 2 3 4 5 6 7 8 9 10 11 12

A
B
C
D
E
F
G
H



11	ACTUATOR	POLYPROPYLENE
10	GASKET	POLYETHELENE-TRISEAL
9	COLLAR	POLYPROPYLENE
8	CHAPLET	POLYPROPYLENE
7	STEM	POLYPROPYLENE
6	SHELL	POLYPROPYLENE
5	PISTON	POLYETHELENE-LD
4	SUB-STEM	POLYETHELENE-HD
3	SPRING	STAINLESS STEEL
2	BALL	GLASS
1	DIP TUBE	POLYETHELENE-LD
N	COMPONENT	MATERIAL

NOMINAL DOSAGE	NOMINAL STROKE
1.2CC	11MM



	ALL DIMENSIONS ARE IN MM	DESIGN/DIMENSIONS ARE SUBJECT TO CHANGE WITHOUT PRIOR NOTICE
	ISSUE DATE: 15/06/2017 MODEL NAME: LOTION PUMP_28/410_RIBBED_TULIP MODEL CODE: P501_R SHEET TITLE: P501_R DATA SHEET	SCALE: 3:2 SHEET: 1 of 1

1 2 3 4 5 6 7 8 9 10 11 12